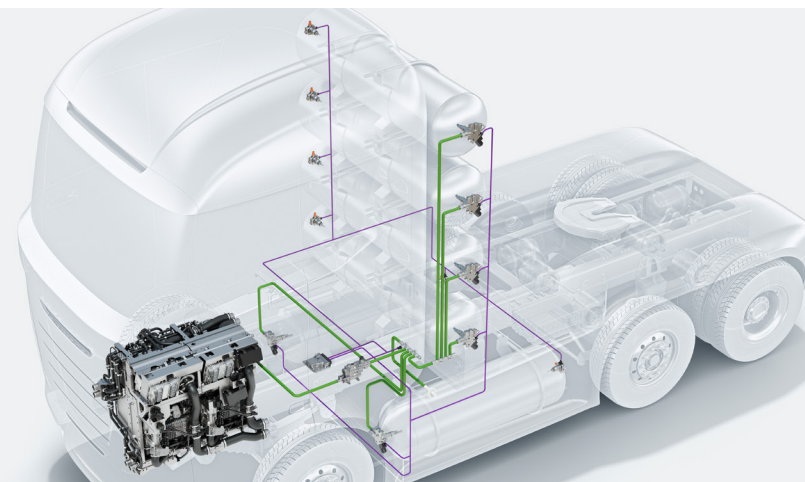


# Hydrogen storage system

Scalable to different applications and vehicle segments for a system pressure of 350 or 700 bar



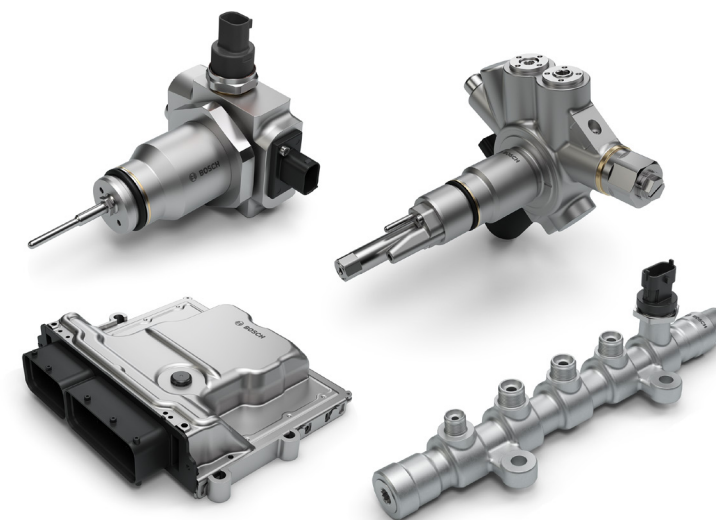
Powertrain and electrified mobility

According to demand  
**scalable**

to all vehicle segments

Up to  
**700 bar**

system pressure



- The hydrogen storage system controls the filling of the tanks and supply of the fuel-cell or H<sub>2</sub>-motor consumer systems with hydrogen
- The system and the components are designed to comply with the applicable legal requirements, including the pertinent safety directives of the respective markets
- In addition to the hardware components for the hydrogen storage system, Bosch also offers dedicated software functions to support operating strategies and safety functions and assists customers with functional system design